

REWARDING BRIGHTNESS

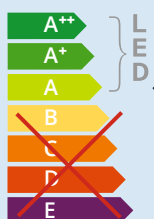


Downlights

**Pointer 68**  
Adjustable

**Specifications**

Colour(s)	Matt white RAL9016 (XX=MW) / Matt black RAL 9005 (XX=BL)
Beam angle (FWHM)	35° (45° FWTM) / 60° (80° FWTM)
Fixture material	Housing: Die cast aluminium
Environment	Indoor
IP rate	IP20
IK rate	IK10
Operating temperature (Ta)	-20°C / +45°C
Safety marks	EN60598 / EN62031 / EN62471
EMC compliance	EN55015
Colour consistency (SDCM)	MacAdam step 3
Warranty	7 years



LED  
A



This luminaire contains built-in LED lamps

The lamps cannot be changed in the luminaire.



874/2012



Using universal-springs.



Using (standard) wire-springs.

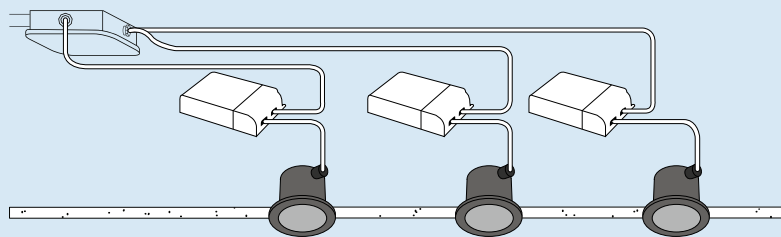
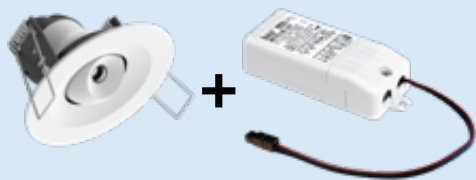


REWARDING BRIGHTNESS

## Pointer 68 adj (dimmable - incl. individual power supply)

220-240V

Downlight incl. PSU



### Item specifications (part A)

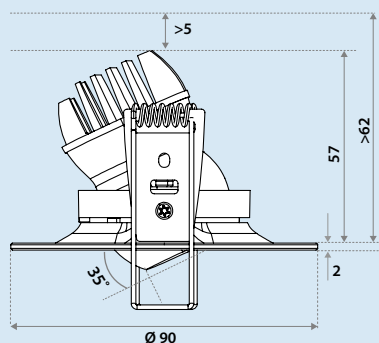
Description	Item code	Type	Input	W	Lm	Lm/W	CRI (typ.)	UGR	Pf	Ripple	Inrush current	B-16A Fuse
Pointer 68 adj LV 35° 350 Lm 2700K Triac dim	082703XXWN13	Incl. PSU	220-240V	6,6	350	53	85	7.2	0.96	<20%	2A 50µS	50 pcs
Pointer 68 adj LV 35° 375 Lm 3000K Triac dim	082703XXWP13	Incl. PSU	220-240V	6,6	375	57	85	7.3	0.96	<20%	2A 50µS	50 pcs
Pointer 68 adj LV 35° 400 Lm 4000K Triac dim	082703XXWQ13	Incl. PSU	220-240V	6,6	400	61	85	7.5	0.96	<20%	2A 50µS	50 pcs
Pointer 68 adj LV 60° 400 Lm 2700K Triac dim	082703XXWR13	Incl. PSU	220-240V	6,6	400	61	85	16.3	0.96	<20%	2A 50µS	50 pcs
Pointer 68 adj LV 60° 425 Lm 3000K Triac dim	082703XXWS13	Incl. PSU	220-240V	6,6	425	64	85	16.6	0.96	<20%	2A 50µS	50 pcs
Pointer 68 adj LV 60° 450 Lm 4000K Triac dim	082703XXWT13	Incl. PSU	220-240V	6,6	450	68	85	16.8	0.96	<20%	2A 50µS	50 pcs
Pointer 68 adj LV 35° 350 Lm 2700K 1-10V & Push	082703XXXG13	Incl. PSU	220-240V	6,6	350	53	85	7.2	0.6	<3%	20A 170µS	50 pcs
Pointer 68 adj LV 35° 375 Lm 3000K 1-10V & Push	082703XXXH13	Incl. PSU	220-240V	6,6	375	57	85	7.3	0.6	<3%	20A 170µS	50 pcs
Pointer 68 adj LV 35° 400 Lm 4000K 1-10V & Push	082703XXXJ13	Incl. PSU	220-240V	6,6	400	61	85	7.5	0.6	<3%	20A 170µS	50 pcs
Pointer 68 adj LV 60° 400 Lm 2700K 1-10V & Push	082703XXXK13	Incl. PSU	220-240V	6,6	400	61	85	16.3	0.6	<3%	20A 170µS	50 pcs
Pointer 68 adj LV 60° 425 Lm 3000K 1-10V & Push	082703XXXL13	Incl. PSU	220-240V	6,6	425	64	85	16.6	0.6	<3%	20A 170µS	50 pcs
Pointer 68 adj LV 60° 450 Lm 4000K 1-10V & Push	082703XXXM13	Incl. PSU	220-240V	6,6	450	68	85	16.8	0.6	<3%	20A 170µS	50 pcs

### Item specifications (part B)

Description	Safety class	Energy class	Weight	Dimensions single carton	Quantity per carton	Expected lifespan (25°C)		
						L70B50	L80B50	L90B50
Pointer 68 adj LV 35° 350 Lm 2700K Triac dim	II	A	276 gr	105x105x61 mm	42 pcs	60.500 hrs	43.000 hrs	26.000 hrs
Pointer 68 adj LV 35° 375 Lm 3000K Triac dim	II	A	276 gr	105x105x61 mm	42 pcs	60.500 hrs	43.000 hrs	26.000 hrs
Pointer 68 adj LV 35° 400 Lm 4000K Triac dim	II	A	276 gr	105x105x61 mm	42 pcs	60.500 hrs	43.000 hrs	26.000 hrs
Pointer 68 adj LV 60° 400 Lm 2700K Triac dim	II	A	276 gr	105x105x61 mm	42 pcs	60.500 hrs	43.000 hrs	26.000 hrs
Pointer 68 adj LV 60° 425 Lm 3000K Triac dim	II	A	276 gr	105x105x61 mm	42 pcs	60.500 hrs	43.000 hrs	26.000 hrs
Pointer 68 adj LV 60° 450 Lm 4000K Triac dim	II	A	276 gr	105x105x61 mm	42 pcs	60.500 hrs	43.000 hrs	26.000 hrs
Pointer 68 adj LV 35° 350 Lm 2700K 1-10V & Push	II	A	296 gr	105x105x61 mm	42 pcs	60.500 hrs	43.000 hrs	26.000 hrs
Pointer 68 adj LV 35° 375 Lm 3000K 1-10V & Push	II	A	296 gr	105x105x61 mm	42 pcs	60.500 hrs	43.000 hrs	26.000 hrs
Pointer 68 adj LV 35° 400 Lm 4000K 1-10V & Push	II	A	296 gr	105x105x61 mm	42 pcs	60.500 hrs	43.000 hrs	26.000 hrs
Pointer 68 adj LV 60° 400 Lm 2700K 1-10V & Push	II	A	296 gr	105x105x61 mm	42 pcs	60.500 hrs	43.000 hrs	26.000 hrs
Pointer 68 adj LV 60° 425 Lm 3000K 1-10V & Push	II	A	296 gr	105x105x61 mm	42 pcs	60.500 hrs	43.000 hrs	26.000 hrs
Pointer 68 adj LV 60° 450 Lm 4000K 1-10V & Push	II	A	296 gr	105x105x61 mm	42 pcs	60.500 hrs	43.000 hrs	26.000 hrs

All values are measured at 230V (+/- 7%).

### Dimensions



### Incl. PSU Triac dim/1-10V & Push



CREE

37C

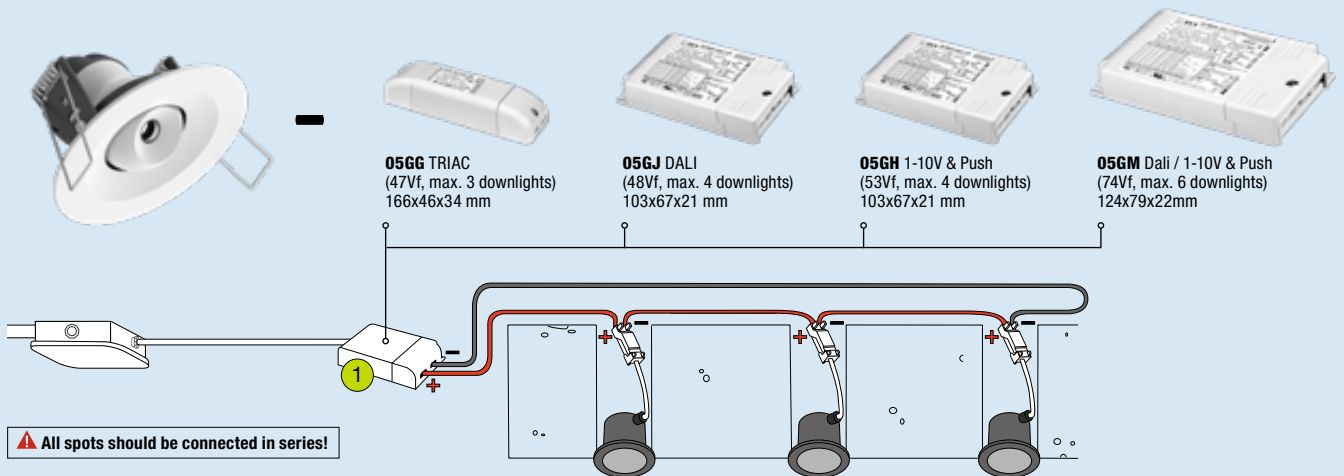
PHENIX CONTACT

TCI LED

REWARDING BRIGHTNESS

## Pointer 68 adj (dimmable - excl. central power supply)

500 mA



### Item specifications (part A)

Description	Item code	Type	Input	Vf	W	Lm	Lm/W	CRI	UGR (typ.)	Pf	Ripple	Inrush current	B-16A Fuse
Pointer 68 adj LV 500mA 35° 350 Lm 2700K	082703XXWN11	Incl. Conn.Box	500mA	11,4	5,7	350	61	85	7.2	x	x	x	x
Pointer 68 adj LV 500mA 35° 375 Lm 3000K	082703XXWP11	Incl. Conn.Box	500mA	11,4	5,7	375	66	85	7.3	x	x	x	x
Pointer 68 adj LV 500mA 35° 400 Lm 4000K	082703XXWQ11	Incl. Conn.Box	500mA	11,4	5,7	400	70	85	7.5	x	x	x	x
Pointer 68 adj LV 500mA 60° 400 Lm 2700K	082703XXWR11	Incl. Conn.Box	500mA	11,4	5,7	400	70	85	16.3	x	x	x	x
Pointer 68 adj LV 500mA 60° 425 Lm 3000K	082703XXWS11	Incl. Conn.Box	500mA	11,4	5,7	425	75	85	16.6	x	x	x	x
Pointer 68 adj LV 500mA 60° 450 Lm 4000K	082703XXWT11	Incl. Conn.Box	500mA	11,4	5,7	450	79	85	16.8	x	x	x	x

### Item specifications (part B)

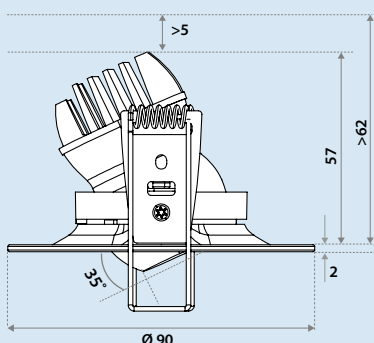
Description	Safety class	Energy class	Weight	Dimensions single carton	Quantity per carton	Expected lifespan (25°C)		
						L70B50	L80B50	L90B50
Pointer 68 adj LV 500mA 35° 350 Lm 2700K	III	A	226 gr	105x105x61 mm	42 pcs	60.500 hrs	43.000 hrs	26.000 hrs
Pointer 68 adj LV 500mA 35° 375 Lm 3000K	III	A	226 gr	105x105x61 mm	42 pcs	60.500 hrs	43.000 hrs	26.000 hrs
Pointer 68 adj LV 500mA 35° 400 Lm 4000K	III	A	226 gr	105x105x61 mm	42 pcs	60.500 hrs	43.000 hrs	26.000 hrs
Pointer 68 adj LV 500mA 60° 400 Lm 2700K	III	A	226 gr	105x105x61 mm	42 pcs	60.500 hrs	43.000 hrs	26.000 hrs
Pointer 68 adj LV 500mA 60° 425 Lm 3000K	III	A	226 gr	105x105x61 mm	42 pcs	60.500 hrs	43.000 hrs	26.000 hrs
Pointer 68 adj LV 500mA 60° 450 Lm 4000K	III	A	226 gr	105x105x61 mm	42 pcs	60.500 hrs	43.000 hrs	26.000 hrs

### Dimmable central power supply

Description	Item code	Input	Watt	Current	Efficiency	Pf	Ripple	Weight	Inrush current	B-16A Fuse
PSU 32W 500mA Triac (1)	05GG03MLME00	220-240V	32W (47Vf)	500mA	85%	0.97	<3%	138 gr	5A 50µS	50 pcs
PSU 32W 500mA Dali (1)	05GJ03MLME00	220-240V	32W (48Vf)	500mA	87%	0.98	<3%	138 gr	5A 50µS	50 pcs
PSU 32W 500mA 1-10V & Push (1)	05GH03MLME00	220-240V	32W (53Vf)	500mA	90%	0.95	<3%	138 gr	5A 50µS	50 pcs
PSU 50W 500mA Dali / 1-10V & Push (1)	05GM03MLME00	220-240V	50W (74Vf)	500mA	89%	0.95	<3%	218 gr	20A 400µS	50 pcs

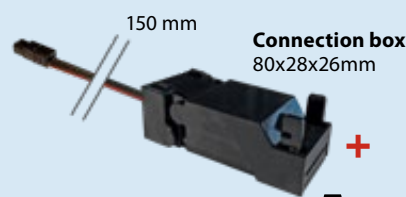
All values are measured at 230V (+/- 7%).

### Dimensions



### Including connection box

For installation to a central power supply.



**CREE**

**37C**

**PHENIX CONTACT**

**TCI**  
LED