

REWARDING BRIGHTNESS

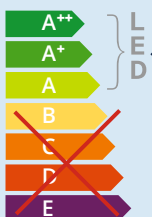


Downlights

Linea DS-FS 120 MLM
Fixed

Specifications

Colour white	Matt white RAL 9016 (XX=MW)
Colour black	Matt black RAL 9005 (XX=BL)
Beam angle (FWHM)	18° / 37° / 60° (On request 80°)
UGR (4H8H 70/50/20)	<19 (18° + 37°)
Fixture material	Die cast aluminium
Environment	Indoor
IP rate	IP20 / IP44
IK rate	IK03
Operating temperature (Ta)	-20°C / +45°C
Safety marks	EN60598 / EN62031 / EN62471
EMC compliance	EN55015
Colour consistency (SDCM)	MacAdam step 3
Warranty	7 Years



LED **A+**



This luminaire contains built-in LED lamps

The lamps cannot be changed in the luminaire.



874/2012



120-130 mm: For soft ceiling tiles. We recommend using a ceiling ring on the reverse side of the tile.
120mm: For plasterboard ceilings or similar harder materials thicker than 10 mm.

Only when the product is installed in a closed ceiling it may be exposed to water splashes, and only on its front side.

REWARDING BRIGHTNESS

Item specifications (part A)

Description	18°		37°		60°		Type	mA	Vf
	Item code	UGR	Item code	UGR	Item code	UGR			
Linea DS-FS MLM 3000 Lm 3000K CRI80 No dim	282003XXCA02	17.9	282003XXCB02	17.4	282003XXCC02	20.4	Incl. PSU	800	35,3
Linea DS-FS MLM 3000 Lm 3000K CRI80 1-10V & Push	282003XXNA02	17.9	282003XXNB02	17.4	282003XXNC02	20.4	Incl. PSU	800	35,3
Linea DS-FS MLM 3000 Lm 3000K CRI80 Dali	282003XXPA02	17.9	282003XXPB02	17.4	282003XXPC02	20.4	Incl. PSU	800	35,3
Linea DS-FS MLM 2500 Lm 3000K CRI96 No dim	282003XXCG02	17.3	282003XXCH02	16.8	282003XXCJ02	19.8	Incl. PSU	800	35,3
Linea DS-FS MLM 2500 Lm 3000K CRI96 1-10V & Push	282003XXNG02	17.3	282003XXNH02	16.8	282003XXNJ02	19.8	Incl. PSU	800	35,3
Linea DS-FS MLM 2500 Lm 3000K CRI96 Dali	282003XXPG02	17.3	282003XXPH02	16.8	282003XXPJ02	19.8	Incl. PSU	800	35,3
Linea DS-FS MLM 3400 Lm 4000K CRI80 No dim	282003XXCD02	18.1	282003XXCE02	17.6	282003XXCF02	20.9	Incl. PSU	800	35,3
Linea DS-FS MLM 3400 Lm 4000K CRI80 1-10V & Push	282003XXND02	18.1	282003XXNE02	17.6	282003XXNF02	20.9	Incl. PSU	800	35,3
Linea DS-FS MLM 3400 Lm 4000K CRI80 Dali	282003XXPD02	18.1	282003XXPE02	17.6	282003XXPF02	20.9	Incl. PSU	800	35,3

Item specifications (part B)

Description	W	Lm	Lm/W	CRI (typ.)	Pf	Ripple	Inrush current	B-16A Fuse	Safety class	Energy class
Linea DS-FS MLM 3000 Lm 3000K CRI80 No dim	27,9	3000	108	82	0.95	<3%	5A 50µS	50 pcs	II	A+
Linea DS-FS MLM 3000 Lm 3000K CRI80 1-10V & Push	27,9	3000	108	82	0.95	<3%	5A 50µS	50 pcs	II	A+
Linea DS-FS MLM 3000 Lm 3000K CRI80 Dali	27,9	3000	108	82	0.95	<3%	5A 50µS	50 pcs	II	A+
Linea DS-FS MLM 2500 Lm 3000K CRI96 No dim	27,9	2500	90	96	0.95	<3%	5A 50µS	50 pcs	II	A+
Linea DS-FS MLM 2500 Lm 3000K CRI96 1-10V & Push	27,9	2500	90	96	0.95	<3%	5A 50µS	50 pcs	II	A+
Linea DS-FS MLM 2500 Lm 3000K CRI96 Dali	27,9	2500	90	96	0.95	<3%	5A 50µS	50 pcs	II	A+
Linea DS-FS MLM 3400 Lm 4000K CRI80 No dim	27,9	3400	122	82	0.95	<3%	5A 50µS	50 pcs	II	A+
Linea DS-FS MLM 3400 Lm 4000K CRI80 1-10V & Push	27,9	3400	122	82	0.95	<3%	5A 50µS	50 pcs	II	A+
Linea DS-FS MLM 3400 Lm 4000K CRI80 Dali	27,9	3400	122	82	0.95	<3%	5A 50µS	50 pcs	II	A+

Item specifications (part C)

Description	Weight	Dimensions single carton	Quantity per carton	Expected lifespan (25°C)		
				L70B50	L80B50	L90B50
Linea DS-FS MLM 3000 Lm 3000K CRI80 No dim	622 gr	190x150x120 mm	32 pcs	165.000 hrs	105.000 hrs	51.000 hrs
Linea DS-FS MLM 3000 Lm 3000K CRI80 1-10V & Push	622 gr	190x150x120 mm	32 pcs	165.000 hrs	105.000 hrs	51.000 hrs
Linea DS-FS MLM 3000 Lm 3000K CRI80 Dali	622 gr	190x150x120 mm	32 pcs	165.000 hrs	105.000 hrs	51.000 hrs
Linea DS-FS MLM 2500 Lm 3000K CRI96 No dim	622 gr	190x150x120 mm	32 pcs	165.000 hrs	105.000 hrs	51.000 hrs
Linea DS-FS MLM 2500 Lm 3000K CRI96 1-10V & Push	622 gr	190x150x120 mm	32 pcs	165.000 hrs	105.000 hrs	51.000 hrs
Linea DS-FS MLM 2500 Lm 3000K CRI96 Dali	622 gr	190x150x120 mm	32 pcs	165.000 hrs	105.000 hrs	51.000 hrs
Linea DS-FS MLM 3400 Lm 4000K CRI80 No dim	622 gr	190x150x120 mm	32 pcs	165.000 hrs	105.000 hrs	51.000 hrs
Linea DS-FS MLM 3400 Lm 4000K CRI80 1-10V & Push	622 gr	190x150x120 mm	32 pcs	165.000 hrs	105.000 hrs	51.000 hrs
Linea DS-FS MLM 3400 Lm 4000K CRI80 Dali	622 gr	190x150x120 mm	32 pcs	165.000 hrs	105.000 hrs	51.000 hrs

All values are measured at 230V (+/- 7%)

Choose your lumen output

	Lamp current	Lamp Wattage	Lumen Output			Lumen / Watt		
			CRI80	CRI96	CRI80	CRI80	CRI96	CRI80
			3000K	3000K	4000K	3000K	3000K	4000K
<i>Special request</i>	350 mA	11,5	1500	1100	1650	130	96	143
<i>Special request</i>	500 mA	15,6	2000	1450	2200	128	93	141
<i>Special request</i>	700 mA	23,5	2700	2150	3150	115	91	134
Standard	800 mA	27,9	3000	2500	3400	108	90	122

REWARDING BRIGHTNESS

Item specifications (part A)

Description	18°		37°		60°		Type	mA	Vf
	Item code	UGR	Item code	UGR	Item code	UGR			
Linea DS-FS MLM 5000 Lm 3000K CRI80 No dim	282003XXCR02	17.7	282003XXCS02	17.8	282003XXCT02	22.2	Incl. PSU	1400	37,5
Linea DS-FS MLM 5000 Lm 3000K CRI80 1-10V & Push	282003XXNK02	17.7	282003XXNL02	17.8	282003XXNM02	22.2	Incl. PSU	1400	37,5
Linea DS-FS MLM 5000 Lm 3000K CRI80 Dali	282003XXPK02	17.7	282003XXPL02	17.8	282003XXPM02	22.2	Incl. PSU	1400	37,5
Linea DS-FS MLM 3750 Lm 3000K CRI96 No dim	282003XXFD02	15.7	282003XXFE02	16.8	282003XXFF02	21.2	Incl. PSU	1400	37,5
Linea DS-FS MLM 3750 Lm 3000K CRI96 1-10V & Push	282003XXNR02	15.7	282003XXNS02	16.8	282003XXNT02	21.2	Incl. PSU	1400	37,5
Linea DS-FS MLM 3750 Lm 3000K CRI96 Dali	282003XXPR02	15.7	282003XXPS02	16.8	282003XXPT02	21.2	Incl. PSU	1400	37,5
Linea DS-FS MLM 5700 Lm 4000K CRI80 No dim	282003XXCU02	17.2	282003XXCV02	18.2	282003XXCW02	22.6	Incl. PSU	1400	37,5
Linea DS-FS MLM 5700 Lm 4000K CRI80 1-10V & Push	282003XXNN02	17.2	282003XXNP02	18.2	282003XXNQ02	22.6	Incl. PSU	1400	37,5
Linea DS-FS MLM 5700 Lm 4000K CRI80 Dali	282003XXPN02	17.2	282003XXPP02	18.2	282003XXPQ02	22.6	Incl. PSU	1400	37,5

Item specifications (part B)

Description	W	Lm	Lm/W	CRI (typ.)	Pf	Ripple	Inrush current	B-16A Fuse	Safety class	Energy class
Linea DS-FS MLM 5000 Lm 3000K CRI80 1-10V & Push	49,8	5000	100	82	0.98	<3%	10A 200µS	30 pcs	I	A+
Linea DS-FS MLM 5000 Lm 3000K CRI80 Dali	49,8	5000	100	82	0.98	<3%	10A 200µS	30 pcs	I	A+
Linea DS-FS MLM 3750 Lm 3000K CRI96 No dim	49,8	3750	75	96	0.98	<3%	10A 200µS	30 pcs	I	A+
Linea DS-FS MLM 3750 Lm 3000K CRI96 1-10V & Push	49,8	3750	75	96	0.98	<3%	10A 200µS	30 pcs	I	A+
Linea DS-FS MLM 3750 Lm 3000K CRI96 Dali	49,8	3750	75	96	0.98	<3%	10A 200µS	30 pcs	I	A+
Linea DS-FS MLM 5700 Lm 4000K CRI80 No dim	49,8	5700	114	82	0.98	<3%	10A 200µS	30 pcs	I	A+
Linea DS-FS MLM 5700 Lm 4000K CRI80 1-10V & Push	49,8	5700	114	82	0.98	<3%	10A 200µS	30 pcs	I	A+
Linea DS-FS MLM 5700 Lm 4000K CRI80 Dali	49,8	5700	114	82	0.98	<3%	10A 200µS	30 pcs	I	A+

Item specifications (part C)

Description	Weight	Dimensions single carton	Quantity per carton	Expected lifespan (25°C)		
				L70B50	L80B50	L90B50
Linea DS-FS MLM 5000 Lm 3000K CRI80 No dim	622 gr	190x150x120 mm	32 pcs	165.000 hrs	105.000 hrs	51.000 hrs
Linea DS-FS MLM 5000 Lm 3000K CRI80 1-10V & Push	622 gr	190x150x120 mm	32 pcs	165.000 hrs	105.000 hrs	51.000 hrs
Linea DS-FS MLM 5000 Lm 3000K CRI80 Dali	622 gr	190x150x120 mm	32 pcs	165.000 hrs	105.000 hrs	51.000 hrs
Linea DS-FS MLM 3750 Lm 3000K CRI96 No dim	622 gr	190x150x120 mm	32 pcs	165.000 hrs	105.000 hrs	51.000 hrs
Linea DS-FS MLM 3750 Lm 3000K CRI96 1-10V & Push	622 gr	190x150x120 mm	32 pcs	165.000 hrs	105.000 hrs	51.000 hrs
Linea DS-FS MLM 3750 Lm 3000K CRI96 Dali	622 gr	190x150x120 mm	32 pcs	165.000 hrs	105.000 hrs	51.000 hrs
Linea DS-FS MLM 5700 Lm 4000K CRI80 No dim	622 gr	190x150x120 mm	32 pcs	165.000 hrs	105.000 hrs	51.000 hrs
Linea DS-FS MLM 5700 Lm 4000K CRI80 1-10V & Push	622 gr	190x150x120 mm	32 pcs	165.000 hrs	105.000 hrs	51.000 hrs
Linea DS-FS MLM 5700 Lm 4000K CRI80 Dali	622 gr	190x150x120 mm	32 pcs	165.000 hrs	105.000 hrs	51.000 hrs

All values are measured at 230V (+/- 7%)

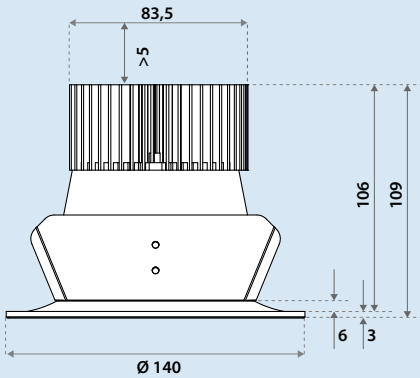
Choose your lumen output

	Lamp current	Lamp Wattage	Lumen Output			Lumen / Watt		
			CRI80	CRI96	CRI80	CRI80	CRI96	CRI80
			3000K	3000K	4000K	3000K	3000K	4000K
Special request	900 mA	30,9	3400	2600	3850	110	84	125
Special request	1050 mA	36,3	3750	2900	4400	103	80	121
Special request	1200 mA	42,2	4250	3250	5000	101	77	118
Standard	1400 mA	49,8	5000	3750	5700	100	75	114



REWARDING BRIGHTNESS

Dimensions



For the DS-FS with concrete springs and gyproc springs a minimum ceiling thickness of 9 mm is required. For thinner ceilings (<9 mm) ask our sales department.

Extra LED options

LEDs from the LUXEON Stylist Series

Specially developed for shops specialised in fashion or fresh food, and for restaurants. Ask our sales department about the possibilities.



2700-6500K
Ask our sales department about the possibilities.