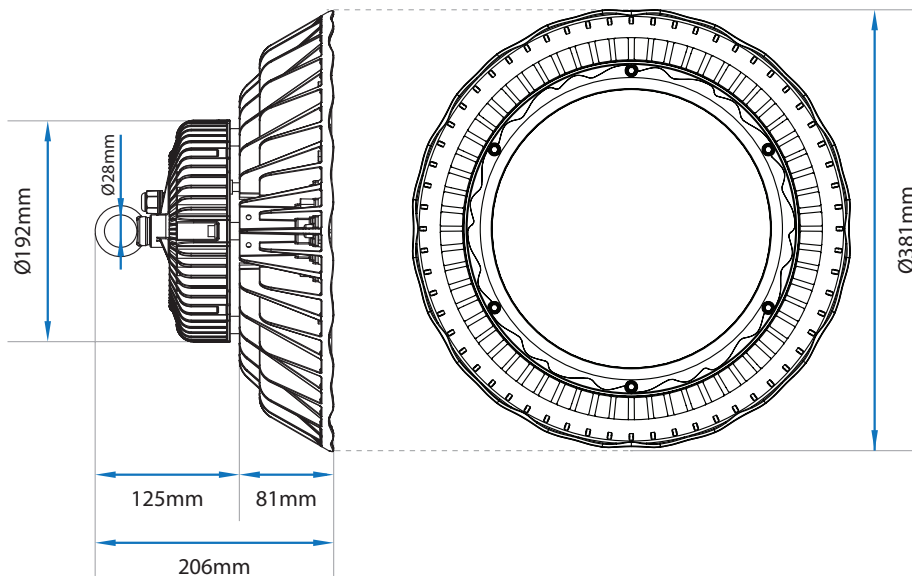
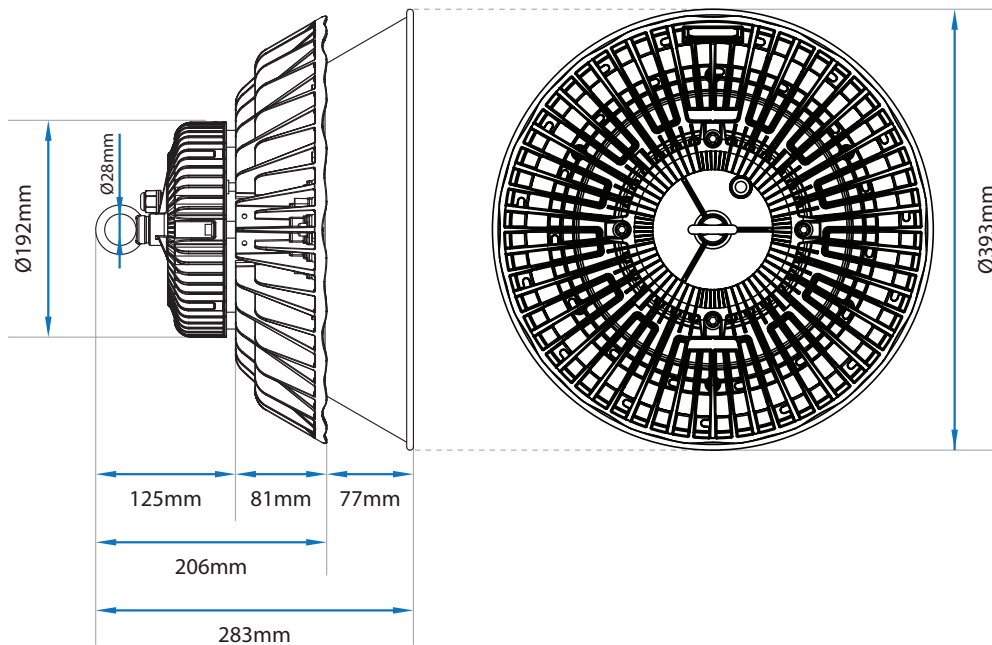


Mechanical Dimensions (Unit mm)



Optional Aluminium Reflector



Optional Acrylic Reflector

