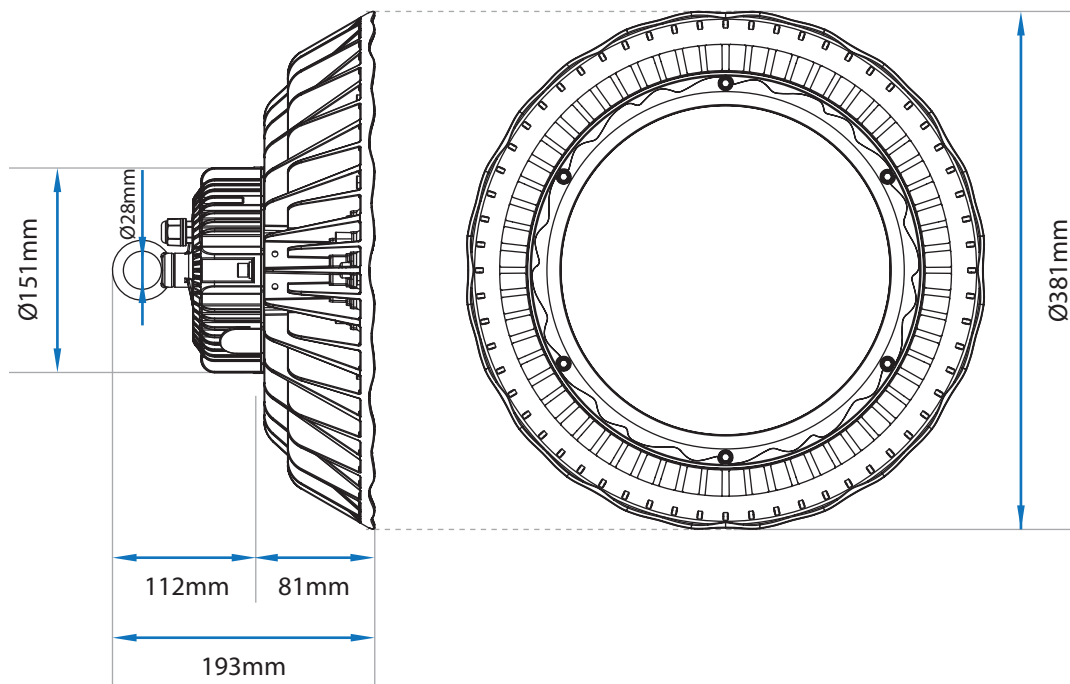


Mechanical Dimensions (Unit mm)



Optional Aluminium Reflector

