

LTECH



LED Controller Touch RGBW 4 zones - D8

Datasheet

www.ltech-led.eu | ©2018 | Ltech Europe | All Rights Reserved.

Technical Specs

Control Characteristics

Output	DMX
Dimming Protocol	Manual
Number of channels	2
Dimming Range	5~100%
Dimming Curve	Linear
Zones	4

Environmental

Ingress protection	IP44
Operating temperature	-30~+55 °C

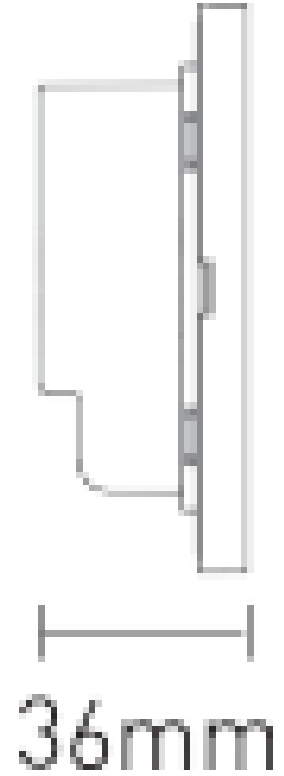
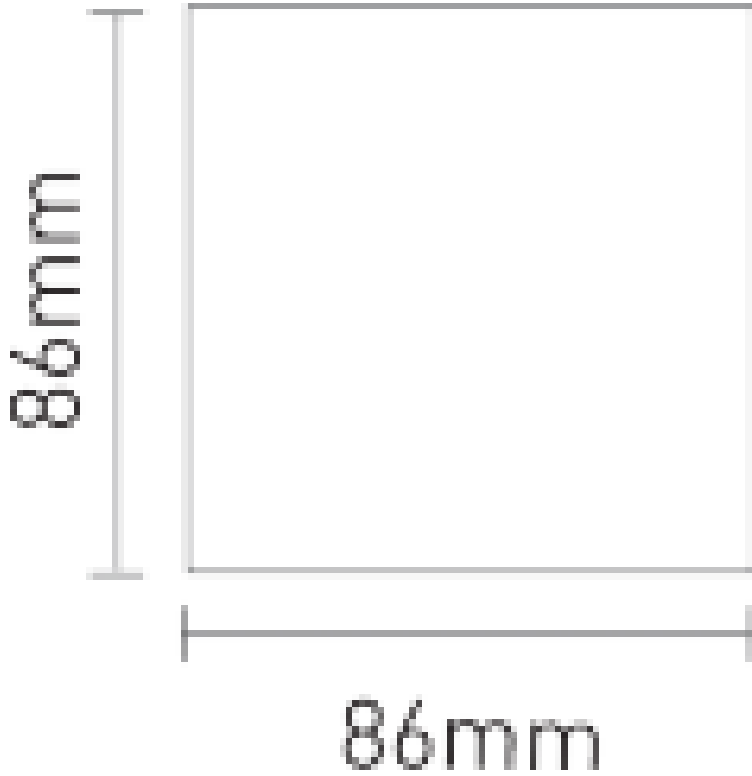
Regulations

Approvals

EMC	√
FCC	FCC Part 15:2013
RoHS2	√
Warranty	5 Year

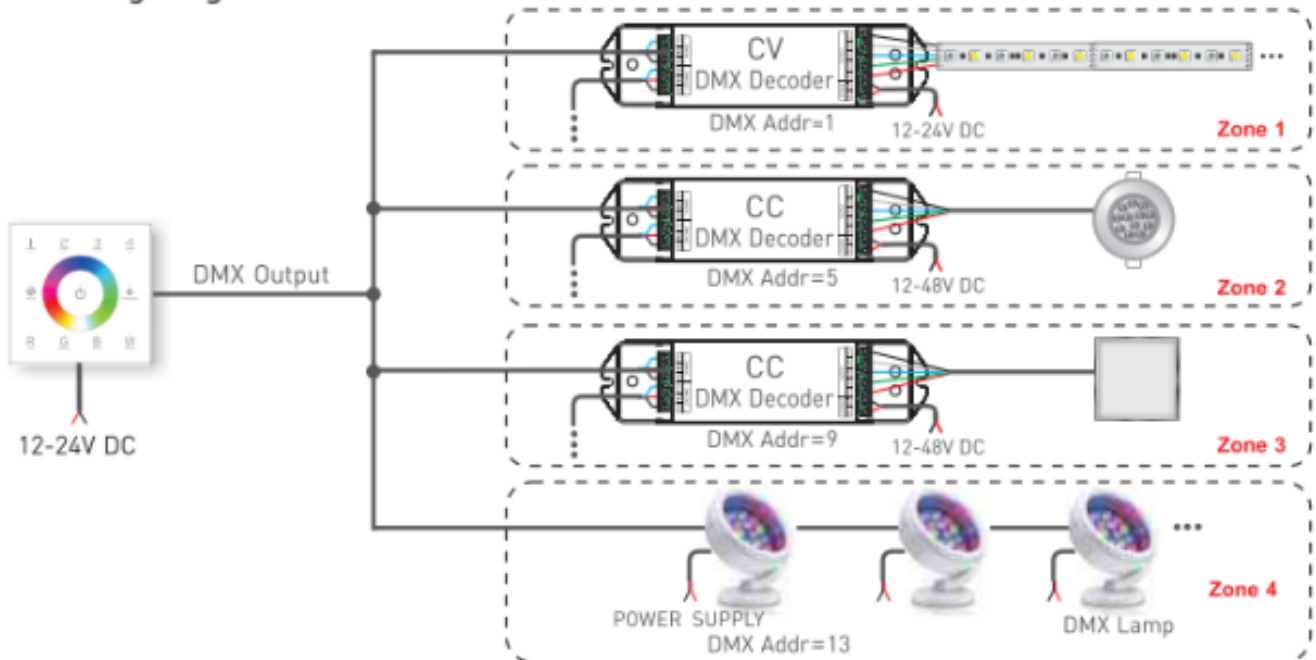


Technical Drawings



Wiring Diagrams

6. Wiring Diagram:



Multiple DMX decoders and lamps can be connected in each zone.

Order information

Code	Description
22528	LED Controller Touch RGBW 4 zones - D8

Related Products

Product name	
LED Controller DMX 3x350mA - LT-830-350	See Online
LED Controller DMX 3x700mA - LT-830-700	See Online
LED Controller DMX 4x6A - LT-840-6A	See Online
LED Controller DMX 4x350mA - LT-840-350	See Online
LED Controller DMX 3x8A - LT-830-8A	See Online
LED Controller DMX 4x700mA - LT-840-700	See Online
LED Controller DMX Digital 4x5A - LT-820-5A	See Online
LED Controller DMX 1x12A - LT-801-12A	See Online

