

Octavia

High power LED strip light

LIGHTING PERFORMANCE				
Model	Light Source	LED Qty	Lumen Output	Expected Lifetime
600mm	Luxeon Rebel	18	1323	50,000hrs +
1200mm	Luxeon Rebel	36	2646	50,000hrs +

N.B. Lumen values quoted on Cool white (6500k)

FEATURES

- High power & efficient strip light
- Powered by Luxeon Rebel™
- Weatherproof option to IP67
- Unique tilting bracket system
- Ideal for wall washing applications

INPUT DATA				
Model	Drive Current	Input Voltage	Power Supply Type	Input Connection
600mm	350mA	N/A	Constant Current	RJ45 (2.5M)
1200mm	350mA	N/A	Constant Current	RJ45 (2.5M)

OPERATING DETAILS		
Model	Power Consumption	Ambient Temp Range
600mm	21.6W (approximate)	-10 to +40 Degrees C
1200mm	43.2W (approximate)	-10 to +40 Degrees C

DESCRIPTION

The Octavia is a linear light unit designed for indoor or outdoor use.

Available with 18 or 36 high power LUXEON REBEL LED's in a wide variety of single colours.

This unit can be mounted to walls, floors or ceilings using a unique bracketing system that offers a tilt or a fixed locking function.

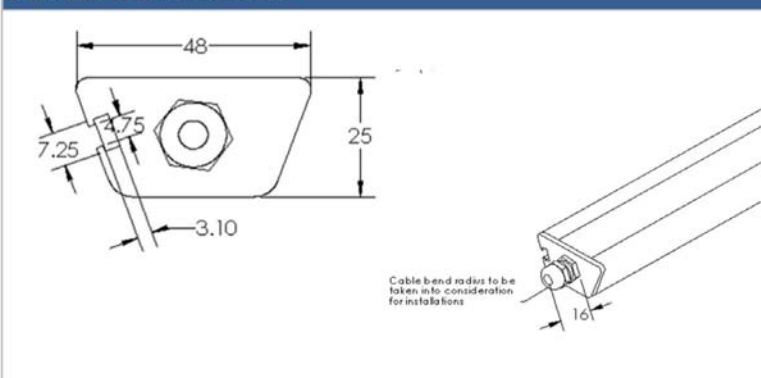
The Octavia is available in an IP67 option for outdoor applications.

PHYSICAL DETAILS			
Model	Mounting Type	Finish	Ingress Protection
600mm	Adjustable Bracket	Matt Silver Anodising	IP50 / IP67
1200mm	Adjustable Bracket	Matt Silver Anodising	IP50 / IP67

OPTIONS		
Model	IP Rating	Optic (degrees)
600mm	IP50 or IP67 (to be specified at time of order)	6, 15, 25, 40, Oval(5x25)
1200mm	IP50 or IP67 (to be specified at time of order)	6, 15, 25, 40, Oval(5x25)

RECOMMENDED DRIVERS	
Model	
	DMX350mA-36

MECHANICAL DIMENSIONS



Olmec Advanced Materials Ltd./Surelight

www.surelight.com; info@surelight.com

12 Terminus Rd, Millhouses, Sheffield, S7 2LH. United Kingdom

Tel: +44 (0) 114 236 1606 - Fax: +44 (0) 114 262 1202

GB Reg No. 247 6257 - VAT No. 570 6797 06



Reg No. 164498

