

Baby Titan I-RGB

High-Power RGB LED SpotLight



Features

- Vandal-proof polycarbonate face
- Powered by Seoul Semi P5
- Weatherproof to IP68
- RGB colour mixing at source
- Tough and durable machined aluminium housing
- Integral adjustable bracket

Description

The Baby Titan I RGB is a very high-powered RGB LED spotlight which uses 6 high-power Seoul Semiconductor P5 LEDs.

Because each LED houses 3 dies (Red, Green, Blue) this is the equivalent of 18 LEDs in the Baby Titan I RGB.

This triple-die LED minimises fringing and separation of colours, giving the Baby Titan I outstanding colour mixing.

The unit is IP68 rated and is at home in any indoor or outdoor venue.

The fully adjustable and lockable bracket ensures easy mounting on most surfaces.

An optional ground spike is available for installations in soft ground.

The Baby Titan I RGB can create any mood or effect that you desire.

LIGHTING PERFORMANCE

Model	Light Source	LED Qty	Total Lumen Output	Expected Lifetime	
RGB	Seoul Semi P5	6	468 @ 350mA	50,000hrs +	
			Red	Green	Blue
			194	230	44

INPUT DATA

Model	Drive Current	Input Voltage	Power Supply	Input Connection
RGB	350mA per Channel	N/A	Constant Current	RJ45 Lead (2.5M)

OPERATING DETAILS

Model	Input Power (Per Channel)			Ambient Temp. Range
RGB	Red = 7.2W	Green = 9.6W	Blue = 9.6W	-10 to +40 Degrees C

PHYSICAL DETAILS

Model	Mounting Type	Finish	Ingress Protection
RGB	Aluminium Rotating Bracket	Matt Silver Anodised	IP68 @ 1 Bar

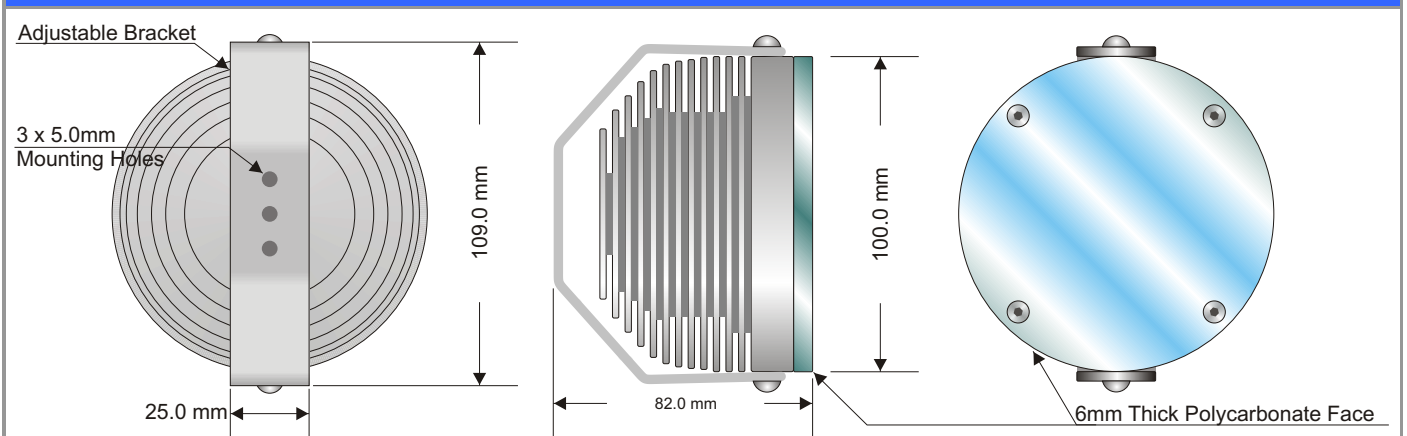
OPTIONS

Model	Optics
RGB	6, 15, 25, 40 degrees (half-divergence angle)

RECOMMENDED DRIVERS

Model
DMX350mA-36

PROFILE DIMENSIONS



We reserve the right to make changes at any time in order to maintain the highest product quality.